

Masport[®] Heating

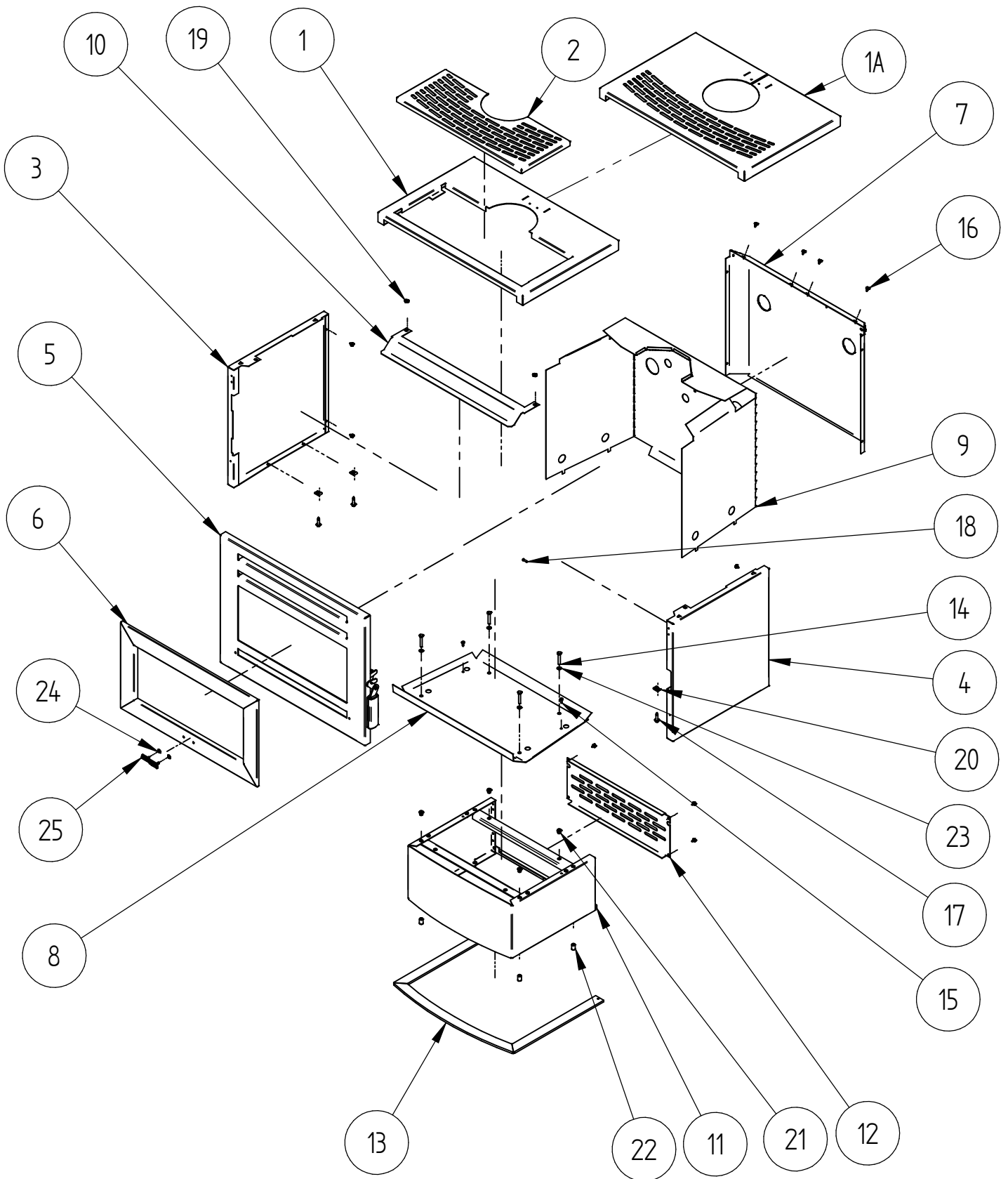
FREESTANDING WOOD FIRES

F2000 - NEW ZEALAND

Item No.	MARKET	FUEL TYPE	FINISH	YEAR	FAN
987960	NZ	SOFTWOOD	Charcoal - Charcoal VHT Paint	AUG-2009	No
987964			Charcoal - Titanium VHT Paint	SEP-2009	
987965			Matt Black - Charcoal Enamel	OCT-2009	
987969			Matt Black - Matt Black VHT Paint	DEC-2013	



PANELS, DOOR AND PEDESTAL



When ordering PLEASE QUOTE PART ID along with Finish Suffix (if applicable)

PANELS, DOOR AND PEDESTAL							
Item	Part ID	Model(s)				Description	Qty
		987960	987964	987965	987969		
1	994271	-N/A.-	-N/A.-	-N/A.-	V02	PANEL-TOP F2000	1
1A	994201	V05	V05	E01	-N/A.-	TOP F2000, ASSY	1
2	994270	-N/A.-	-N/A.-	-N/A.-	V02	PANEL-TOP REMOVE F2000	1
3	994202	V05	V05	E01	V02	PANEL - SIDE, LH F2000	1
4	994203	V05	V05	E01	V02	PANEL - SIDE, RH F2000	1
5	994204	-	-	-N/A.-	-	F2000 DOOR ASSY	1
	994212	-N/A.-	-N/A.-	-	-N/A.-		1
6	994206	V04	V04	V05	V02	TRIM- DOOR, ASSY. F2000	1
7	994211	V05	V05	P02	V02	PANEL-REAR F2000 BLU/BLK P/C	1
8	994213	-	-	-	-	F2000 HEATSHIELD - BOTTOM	1
9	994214	-	-	-	-	HEAT SHIELD, SIDE & REAR ASSY	1
10	994225	V05	V05	V05	V02	DEFLECTOR PANEL - F2000	1
11	994250	V05	V05	P02	V02	PED ASSY- CURVED F2000	1
12	994706	V05	V05	P02	V02	PANEL-PED-REAR F2000	1
13	994719	V05	V05	P02	V02	F2000 FOOT ASSEMBLY	1
14	521060	-	-	-	-	SCREW; M6X35 HEX ZP	4
15	521605	-	-	-	-	SCREW; S/T 10GX1/2" PAN POZI ZP	2
16	521635	-	-	-	-	SCREW; S/T 10GX3/8" HEX FLANGE BLK	12
17	521637	-	-	-	-	SCREW; S/T 12GX25 TIMBERTITE	4
18	521650	-	-	-	-	SCREW; 6GX1/2" S/S TYPE 25 C/S POZI	1
19	522117	-	-	-	-	NUT; HEX STD M6 ZP	2
20	522402	-	-	-	-	NUT; SPIRE SNU0537	4
21	522605	-	-	-	-	NUT; RIVNUT STD/FLANGE M6	4
22	522606	-	-	-	-	NUT; RIVNUT STD/FLANGE M8 9858-5821	4
23	523031	-	-	-	-	WASHER; FLAT M6 ZP	4
24	526001	-	-	-	-	CLIP; STARLOCK 4 DIA SLP04	2
25	587835	-	-	-	-	BADGE MASPORT HEATING	1

When ordering PLEASE QUOTE PART ID along with Finish Suffix (if applicable)

AIRSLIDE, BAFFLE, BRICKS AND FIREBOX							
Item	Part ID	Model(s)				Description	Qty
		987960	987964	987965	987969		
1	994239	-	-	-	-	STEEL BAFFLE ASSY F2000	1
2	994254	-	-	-	-	TUBE-SEC AIR ASSY - F2000	1
3	525105	-	-	-	-	COTTER PIN 5.0X40 ZP	1
4	994234	-	-	-	-	F/B ASSY F2000 AU	1
5	594520	-	-	-	-	PIN DOOR LATCH, LE3000	1
6	522118	-	-	-	-	NUT; HEX STD M8 ZP	1
7	994258	-	-	-	-	CHANNEL BRICK RETAINER F2000	1
8	587808	-	-	-	-	BRICK-F/B,SIDE, LE2000,09	2
9	987549	V02	V02	V02	V02	RETAINER - FIRE BOARD	2
10	587807	-	-	-	-	BRICK-F/B, LE2, LE3, 09	2
11	523007	-	-	-	-	WASHER; FLAT 1/4"X5/8"X0.049" ZP	2
12	585223	-	-	-	-	SPRING-COMPRESSIONAIR INLET	2
13	521633	-	-	-	-	SCREW; S/T M6X25 HEX FLANGE TAPTITE	2
14	593652	-	-	-	-	AIRSLIDE KNOB TOP R/H PLAIN	1
15	521650	-	-	-	-	SCREW; 6Gx1/2" S/S TYPE 25 C/S POZI	1
16*	994252	-	-	-	-	PLATE,BACK-METER F2000 NZ	1
17	523000	-	-	-	-	WASHER; FLAT 3/16"X1/2"X18G ZP	2
18	994251	-	-	-	-	SLIDE - AIR INLET 20 X 50 RECT	1
19	993488	-	-	-	-	F7000 & F2000 EXTENSION - AIRSLIDE	1
20	524008	-	-	-	-	RIVET; 73 MS 4-2	2
21	523019	-	-	-	-	WASHER; FLAT 5/16"X5/8"X16G ZP	1
22	523021	-	-	-	-	WASHER; FLAT M10X19X1.6 ZP	1
23	593651	-	-	-	-	AIRSLIDE KNOB BOTTOM LH	1
24	521060	-	-	-	-	SCREW; M6X35 HEX ZP	2
25*	787844	-	-	-	-	BRICK KIT F2000	

***Optional Sale Kit**

Note: Mar 14 onwards old wooden knobs were replaced by plastic knobs.

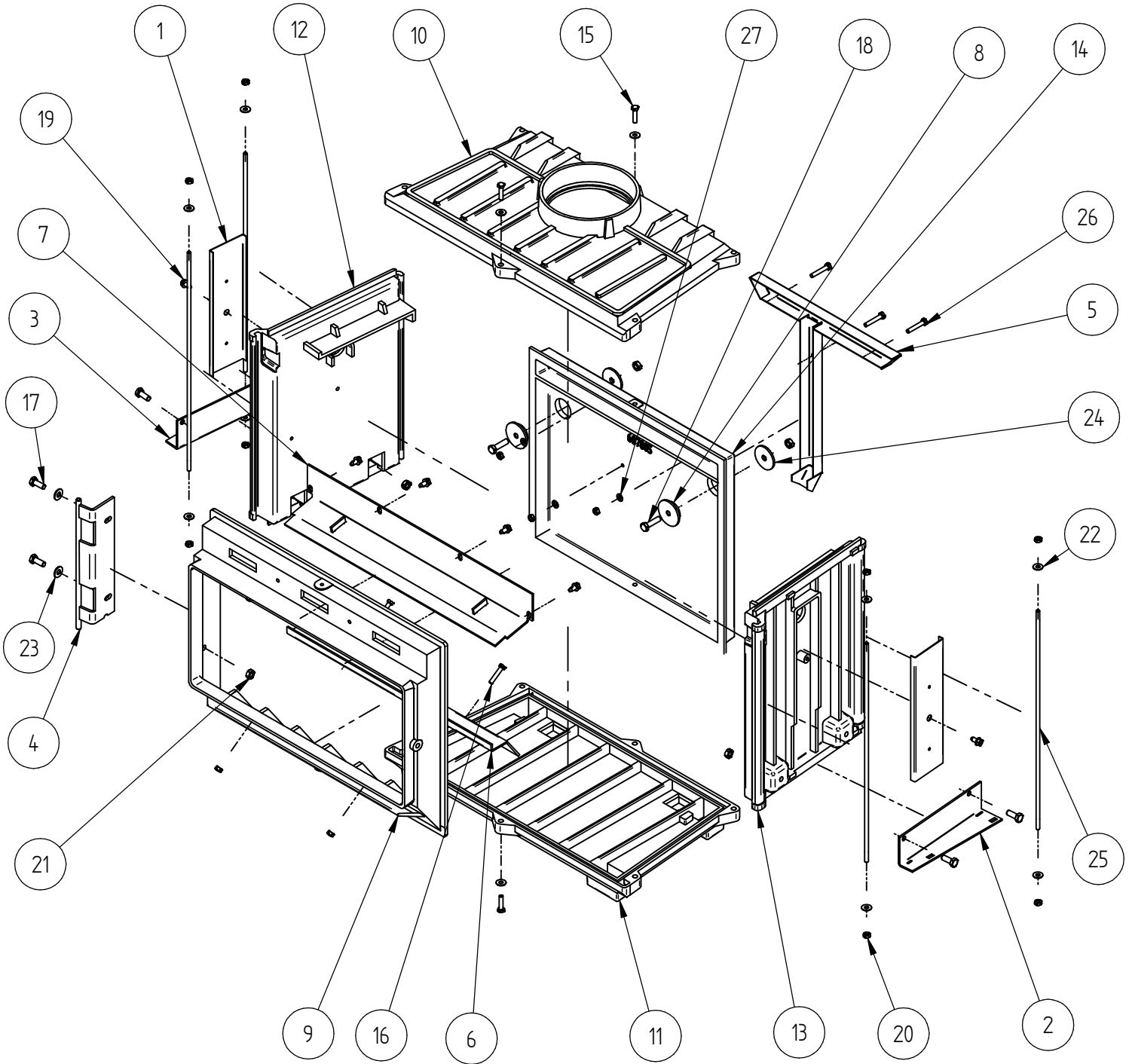
Old wooden knob parts:

1 X 986162 Air control knob

1 X 521642 Screw

Contact Customer service/Engineering Dept. for details of wooden knob system (Issue A).

FIREBOX DETAILS

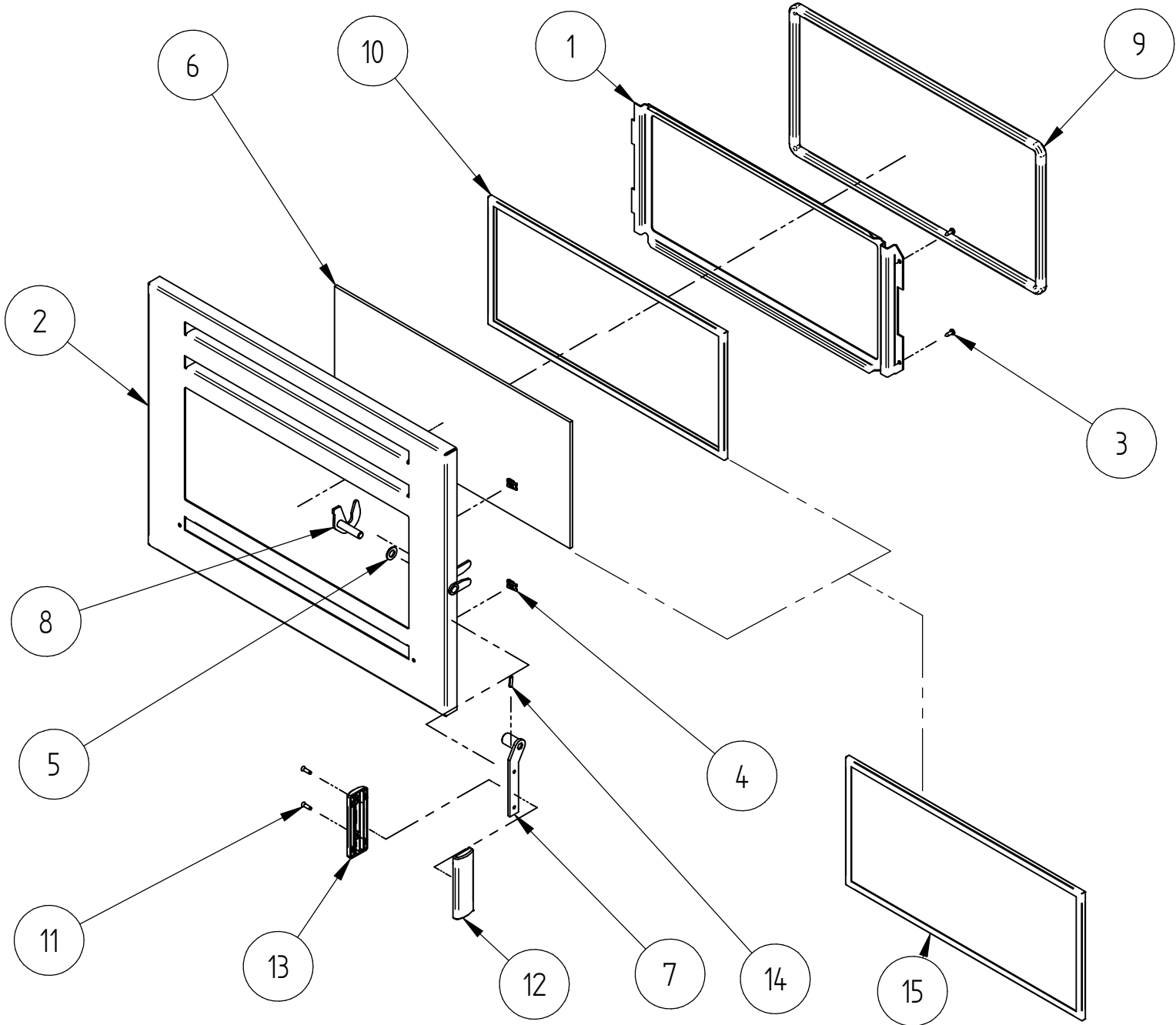


When ordering PLEASE QUOTE PART ID along with Finish Suffix (if applicable)

FIRE BOX : 994234							
Item	Part ID	Model(s)				Description	Qty
		987960	987964	987965	987969		
1	986146	-	-	-	-	COVER - SECONDARY AIR	2
2	994215	-	-	-	-	BRACKET - MOUNTING RH F2000	1
3	994216	-	-	-	-	BRACKET - MOUNTING LH	1
4	994223	-	-	-	-	HINGE ASSY - F2000	1
5	994243	-	-	-	-	SECONDARY AIR TUBE ASSY - F2000	1
6	994246	-	-	-	-	PLATE - BASE AIR F2000	1
7	994700	-	-	-	-	DEFLECTOR ASSY- PRIMARY AIR F2000	1
8	684089	-	-	-	-	PLUG, 34DIAPITTS/FATSO/WFIRE	2
9	686101	-	-	-	-	F/B FRONT LE2000	1
10	687502	-	-	-	-	F/B TOP LE 2000	1
11	687504	-	-	-	-	F/B BOTTOM, LE2000	1
12	687595	-	-	-	-	F/B SIDE LH LE2000	1
13	687596	-	-	-	-	F/B SIDE RH LE2000	1
14	687805	-	-	-	-	F/B BACK F2000	1
15	521058	-	-	-	-	SCREW; M6X25 HEX ZP	4
16	521059	-	-	-	-	SCREW; M6X30 HEX ZP	2
17	521066	-	-	-	-	SCREW; M8X20 HEX ZP	6
18	521068	-	-	-	-	SCREW; M8X30 HEX ZP	2
19	521601	-	-	-	-	SCREW; S/T 1/4"X1/2" HEX FLANGE ZP	6
20	522117	-	-	-	-	NUT; HEX STD M6 ZP	13
21	522118	-	-	-	-	NUT; HEX STD M8 ZP	8
22	523007	-	-	-	-	WASHER; FLAT 1/4"X5/8"X0.049" ZP	12
23	523034	-	-	-	-	WASHER; FLAT M8X19X1.6 ZP	2
24	523035	-	-	-	-	WASHER; FLAT M8X22X3 HVY ZP	2
25	984598	-	-	-	-	ROD; TIE M6X 425	4
26	521060	-	-	-	-	SCREW; M6X35 HEX ZP	3
27	523031	-	-	-	-	WASHER; FLAT M6 ZP	3

When ordering PLEASE QUOTE PART ID along with Finish Suffix (if applicable)

DOOR ASSEMBLY



When ordering PLEASE QUOTE PART ID along with Finish Suffix (if applicable)

DOOR ASSEMBLY – 994204 & 994212							
Item	Part ID	Model(s)				Description	Qty
		987960	987964	987969	987965		
		994204			994212		
1	986546	-	-	-	-	RETAINER – GLASS, LE PROV	1
2	994220	V05	V05	V05	E01	PANEL-DOOR ASSY F2000	1
3	521619	-	-	-	-	SCREW; S/T 8GX1/2" PAN POZI ZP	2
4	522401	-	-	-	-	NUT; SPIRE SNJ 0116/17/4/6	2
5	523021	-	-	-	-	WASHER; FLAT M10X19X1.6 ZP	1
6	584591	-	-	-	-	GLASS-W/FIRE LE 2000 5X458X213 N-ZERO	1
7	996616	-	-	-	-	PLATE – HANDLE ASSY	1
8	994533	-	-	-	-	LATCH-DOOR ASSY 10MM BLK ZINC	1
9	C15MMDR	-	-	-	-	DOOR ROPE	1
10	C20MMLT	-	-	-	-	TAPE ,FLT 3 X 20 LDR AD BLK X 50m ROLL	1
11	521650	-	-	-	-	SCREW; 6GX1/2" S/S TYPE 25 C/S POZI	2
12	593598	-	-	-	-	I3000 DOOR HANDLE FRONT RH PLASTIC	1
13	593599	-	-	-	-	DOOR HANDLE REAR L/H PLASTIC	1
14	525001	-	-	-	-	PIN; TENSION 4X16 BLK	1
15*	784591	-	-	-	-	DOOR GLASS KIT	1

***Optional Sale Kit**

Note: Mar 14 onwards old wooden handles were replaced by 2-piece plastic handles.

Old wooden handle parts:

1 X 586161 Door Handle

2 X 521628 Screws

Contact Customer service/Engineering Dept. for other parts of wooden handle system (Issue A).

NOT ILLUSTRATED							
Item	Part ID	Model(s)				Description	Qty
		994964	994969	987965	987969		
1	587853	-	-	-	-	INSTRUCTION - BRICK LAYOUT	1
2	593286	-	-	-	-	OWNER MANUAL WOODFIRES 2010	1
3	593287	-	-	-	-	INSTALL MANUAL WOODFIRES 2010	1
4	594259	-	-	-	-	F2000 INSTALLATION DATA SHEET	1
5	995575	-N/A.-	-N/A.-	-N/A.-	-	COOK TOP GRILL TOOL	1

SURFACE FINISH CODES FOR PANELS						
VITREOUS ENAMEL		VHT PAINT(Very High Temp)			POWDER COAT	
E01	MATT BLACK	V02	P-000022	METALLIC BLACK	P02	MATT BLACK
E02	GLOSS BLACK	V03	P-000043	CHARCOAL	P03	CHARCOAL
E03	CHARCOAL	V04	P-000081	TITANIUM	P05	SATIN BLACK
		V05	P-000051	CHARCOAL (DAM MET BLK)	P09	METTALIC BLACK
		V06	P-000052	METALLIC BLACK ZINC		

LESS FREQUENTLY OR OLD SURFACE FINISH CODES FOR PANELS						
VITREOUS ENAMEL		VHT PAINT(Very High Temp)			POWDER COAT	
E04	JASMINE	V01		SATIN BLACK HIGH TEMP	P01	BLUE/BLACK
					P04	GLOSS CHARCOAL
					P07	FLAT BLACK

When ordering PLEASE QUOTE PART ID along with Finish Suffix (if applicable)